

# Current Transformers CM-CT



CM-CT



CM-CT with mounted accessories



CM-CT-A  
DIN Rail Adaptor  
P/N 1SVR450118R1000

## Current Transformers CM-CT

- Primary AC current from 50 A to 600 A in 9 ranges
- Secondary current from 0 to 1 A or 0 to 5 A
- Class 1 accuracy = +/- 1% of the measured value
- Use with or without mounting brackets and buss bar fastening screws
- Protected connection terminals with 2 screws for each secondary connection

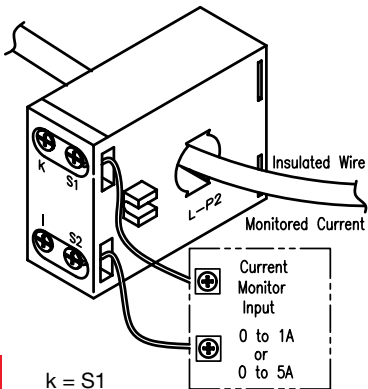
### Secondary Current 1 A

Type	Nominal/ primary current	Power/ Accuracy (%)	New Part Number	Center Dimension (mm)	Old Part Number
CM-CT 50/1	50 A	1 VA / 1	1SVR 450 116 R1000	20	E4 450 116 10
CM-CT 75/1	75 A	1.5 VA / 1	1SVR 450 116 R1100	20	E4 450 116 11
CM-CT 100/1	100 A	2.5 VA / 1	1SVR 450 116 R1200	20	E4 450 116 12
CM-CT 150/1	150 A	2.5 VA / 1	1SVR 450 116 R1300	20	E4 450 116 13
CM-CT 200/1	200 A	2.5 VA / 1	1SVR 450 116 R1400		E4 450 116 14
CM-CT 300/1	300 A	5 VA / 1	1SVR 450 117 R1100	10 x 30	E4 450 117 11
CM-CT 400/1	400 A	5 VA / 1	1SVR 450 117 R1200	10 x 30	E4 450 117 12
CM-CT 500/1	500 A	5 VA / 1	1SVR 450 117 R1300	10 x 30	E4 450 117 13
CM-CT 600/1	600 A	5 VA / 1	1SVR 450 117 R1400	10 x 30	E4 450 117 14

### Secondary Current 5 A

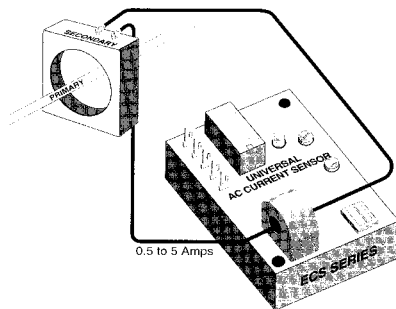
Type	Nominal/ primary current	Power/ Accuracy (%)	New Part Number	Center Dimension (mm)	Old Part Number
CM-CT 50/5	50 A	1 VA/1	1SVR 450 116 R5000	20	E4 450 116 50
CM-CT 75/5	75 A	1.5 VA/1	1SVR 450 116 R5100	20	E4 450 116 51
CM-CT 100/5	100 A	2.5 VA/1	1SVR 450 116 R5200	20	E4 450 116 52
CM-CT 150/5	150 A	2.5 VA/1	1SVR 450 116 R5300	20	E4 450 116 53
CM-CT 200/5	200 A	5 VA/1	1SVR 450 116 R5400	20	E4 450 116 54
CM-CT 300/5	300 A	5 VA/1	1SVR 450 117 R5100	10 x 30	E4 450 117 51
CM-CT 400/5	400 A	5 VA/1	1SVR 450 117 R5200	10 x 30	E4 450 117 52
CM-CT 500/5	500 A	5 VA/1	1SVR 450 117 R5300	10 x 30	E4 450 117 53
CM-CT 600/5	600 A	5 VA/1	1SVR 450 117 R5400	10 x 30	E4 450 117 54

## Connection Diagrams



k = S1  
l = S2  
L - P2 = Phase Orientation  
K - P1 = Phase Orientation

**CM-CT**  
Connected to A current monitor with CT input connections



**CM-CT**  
Connection to a current monitor with built in torrid current transformer. A wire connected from S1 to S2 is passed through the toroidal sensor.

## Mechanical View

