

Single Shot (Pulse Former) KSDS Digi-Timer Timing Module



10 YEAR WARRANTY

Obsolete Specification
Redesigned product is available
see new specifications at:
www.ssac.com/standard/standard.htm

- Low Cost
- Fixed
- +/-0.5% Accuracy
- Total Encapsulated
- DC Unit Protected

Description

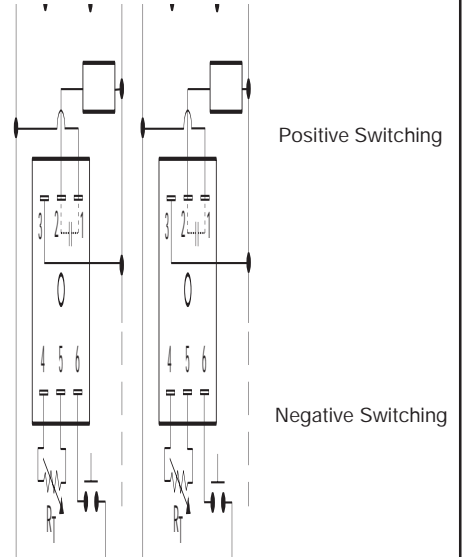
The KSDS Series is ideal for applications that require momentary start interval timing including dispensing, exposure timing, or pulse shaping. This series is available in both AC and DC versions and may be ordered with a factory fixed or adjustable time delay function. Encapsulated circuitry allows operation in harsh environments. Ideal for applications where cost is a factor.

Operation

Input voltage must be applied to the input before and during timing. Upon momentary or maintained closure of the initiate switch (leading edge triggered), the output is energized for a measured interval of time. At the end of the delay, the output de-energizes. Opening or reclosing the initiate switch during timing has no effect on the time delay. The output will not energize if the initiate switch is closed when input voltage is applied.

Reset: Reset occurs when the time delay is complete and the initiate switch is opened. Loss of input voltage resets the time delay and output.

- Approvals:



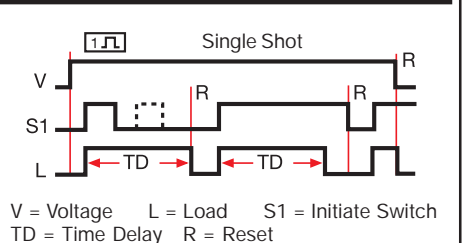
R_T is used when external adjustment is ordered.

Ordering Table

KSDS Series	X Input	X Adjustment	X Time Delay*	X Switching Mode
-1	12 V DC	-1 - Fixed	-0 - 0.1 ... 10 s	-P - Positive
-2	24 V AC	-2 - External Adjust	-1 - 1 ... 100 s	-N - Negative (DC Operation Only)
-3	24 V DC		-2 - 10 ... 1000 s	
-4	120 V AC		-3 - 0.1 ... 10 m	
-6	230 V AC		-4 - 1 ... 100 m	
			-5 - 5 ... 500 m	

* If Fixed Delay is selected, insert delay [0.1 ... 1000] followed by (S) secs. or [0.1 ... 500] (M) mins.

Example P/N: **KSDS421** Fixed - **KSDS410.1S**



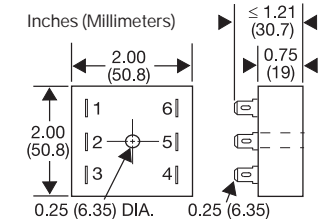
V = Voltage L = Load S1 = Initiate Switch
TD = Time Delay R = Reset

Technical Data

Time Delay	
Type	Digital integrated circuitry
Range	0.1 s ... 500 m in 6 adjustable ranges or fixed
Repeat Accuracy	+/-0.5 %
Tolerance (Factory Calibration)	≤ +/-10%
Recycle Time	≤ 150 ms
Time Delay vs. Temperature & Voltage	≤ +/-10%
Input	
Voltage	12 or 24 V DC; 24, 120, or 230 V AC
Tolerance	+/-20%
Line Frequency	50 ... 60 Hz
Output	
Type	Solid state
Form	Normally Open, closed during timing
Maximum Load Current	1 A steady state, 10 A inrush at 55°C
Voltage Drop	AC: ≅ 2.5 V at 1 A DC: ≅ 1.7 V at 1 A
DC Operation	Positive or negative switching
Protection	
Circuitry	Encapsulated
Dielectric Breakdown	≥ 2000 V RMS terminals to mounting surface
Insulation Resistance	≥ 100 MΩ
Polarity	DC units are reverse polarity protected
Mechanical	
Mounting	Surface mount with one #10 (M5 x 0.8) screw
Package	2 x 2 x 1.21 in. (50.8 x 50.8 x 30.7 mm)
Termination	0.25 in. (6.35 mm) male quick connect terminals
Environmental	
Operating/Storage Temperature	-40°C ... +60°C / -40°C ... +85°C
Humidity	95% relative, non-condensing
Weight	≅ 2.4 oz (68 g)

R _T Selection Chart							
Desired Time Delay*							
Seconds		Minutes		R _T	Minutes		R _T
0	1	2	3	Megohm	5	5	Megohm
0.1	1	10	0.1	1	0.0	5	0.0
1	10	100	1	10	0.1	50	0.3
2	20	200	2	20	0.2	100	0.6
3	30	300	3	30	0.3	150	0.9
4	40	400	4	40	0.4	200	1.2
5	50	500	5	50	0.5	250	1.5
6	60	600	6	60	0.6	300	1.8
7	70	700	7	70	0.7	350	2.1
8	80	800	8	80	0.8	400	2.4
9	90	900	9	90	0.9	450	2.7
10	100	1000	10	100	1.0	500	3.0

* When selecting an external R_T add at least 20% for tolerance of unit and the R_T.



Time Delay	VTP P/N	Fig. A P/N	Fig. B P/N
0 - 0.1 ... 10 s	VTP2C	P1004-16	P1004-16-X
1 - 1 ... 100 s	VTP2G	P1004-16	P1004-16-X
2 - 10 ... 1000 s	VTP2K	P1004-16	P1004-16-X
3 - 0.1 ... 10 m	VTP2N	P1004-16	P1004-16-X
4 - 1 ... 100 m	VTP2P	P1004-16	P1004-16-X
5 - 5 ... 500 m	VTP4R	P1004-12	P1004-12-X

Accessories

- Mounting bracket
P/N: P1023-6
- External adjust potentiometer
P/N: P1004-XX
- Female quick connect
P/N: P1015-64 (AWG 14/16)
- Plug-on adjustment module
P/N: VTP(X)(X)
- Quick connect to screw adaptor
P/N: P1015-18
- Versa-knob
P/N: P0700-7
- DIN rail adaptor
P/N: P1023-20

DIN rail P/Ns: C103PM (Al) 17322005 (Steel)

See accessory pages at the end of this section.