

# Liquid Level Probes and Probe Holders

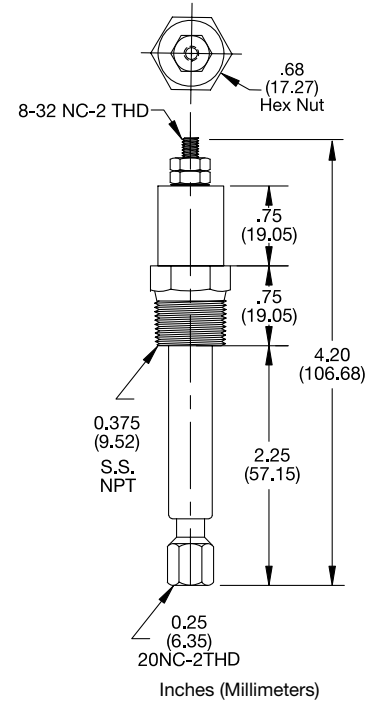
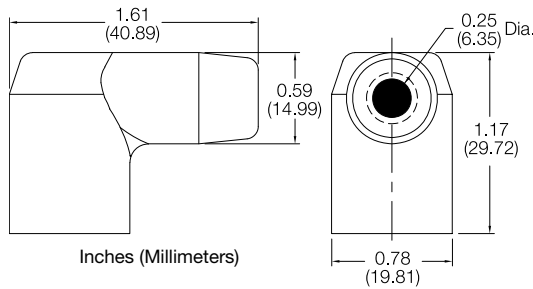


## Liquid Level Control Electrodes

### Description

Designed for use with all conductive liquid level controls. Composed of insulators and metal parts made of number 300 series stainless steel. These internally conductive probe holders are designed for a maximum steam pressure of 240 PSI; 400 degrees F maximum. Maximum voltage from electrode to ground.

Part Number	Description
PHST-38QTN	Probe Holder (UL353 Recognized)
P0700-409	Protective Boot

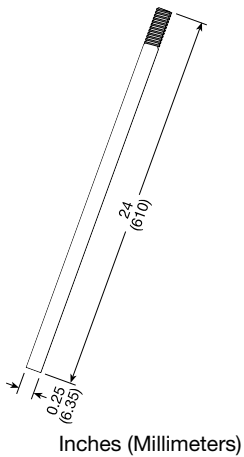


## Liquid Level Probe

### Description

Threaded stainless steel probe measuring 24 in. (61 cm) long. Designed for use with WCC-1138 and WCC-1138-3 liquid level control electrodes.

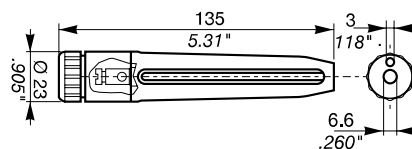
**P/N:** LLP-24



## Suspension Electrode

### Description

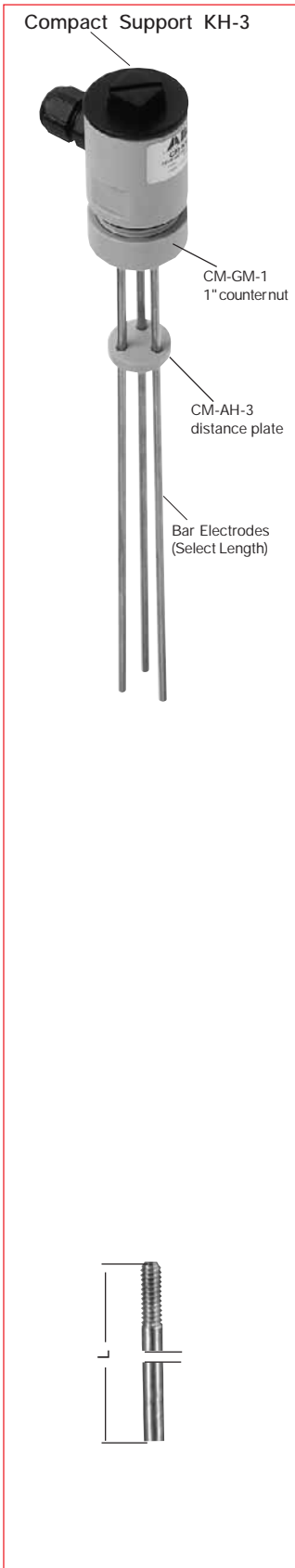
Steel electrode (X 12 CR Mo S 17) with sleeve (Lupulen 6011 L) suitable up to 60°C max. Attaches to an insulated wire suspended from the top of the holding tank. Length of wire determines the sensing location.



Part Number	Pack. unit (pieces)	Weight 1 pc. kg/oz
1SVR 402 902 R 0000	1	0.053/1.855

## Accessories

### Liquid Level Probes and Probe Holders



### Compact Probe Holder KH-3 for 3 bar electrodes

- Ideally suited for use with liquid level relays
- Wire connection by screw terminals
- Strain relief by M16 cable gland
- Temperature range up to 90 °C
- Food safe material (PPH)
- Screw-in electrodes (M4 thread)
- Distance plate (AH-3) and locking nut (GM-1) optionally available as accessories

### KH-3 Compact Probe Support

#### Description

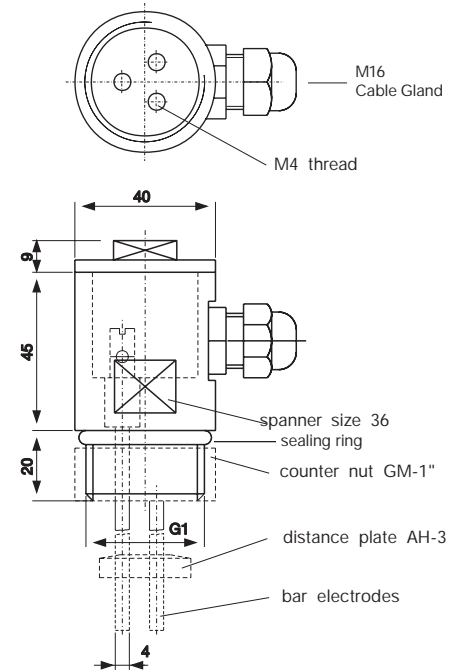
Type of mounting:	G 1" thread
Mounting position:	any
Enclosure material:	PPH
Sealing:	NBR 70
Temperature range:	90 °C max.
Pressure:	10 bar max. (60 °C)

### Accessories

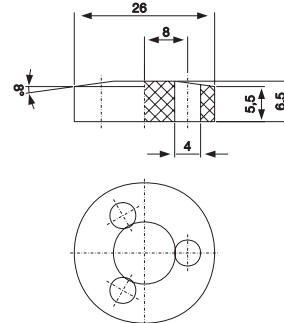
**Distance Plate AH-3**  
Use optional distance plate AH-3 to keep long probes from touching.

**Counter Nut GM-1**  
Use optional counter nut GM-1 for tanks that cannot be threaded.

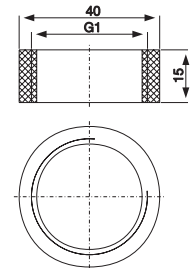
Compact support KH-3



Optional Distance plate AH-3



Optional Counter nut GM-1  
G1 = 1 in (25.4 mm)



\*Dimensions in Millimeters

Type	Description	Part Number	Pack. unit (pieces)	Weight 1 piece kg/oz
CM-KH-3	Compact support for 3 bar electrodes	1SVR 450 056 R 6000	1	0.085/3.000
CM-AH-3	Distance plate for 3 bar electrodes	1SVR 450 056 R 7000	1	0.004/0.141
CM-GM-1	Counter nut for 1" thread	1SVR 450 056 R 8000	1	0.010/0.247

### Bar Electrodes

#### Description

Thread M4 for use with KH-3 probe holder  
Material: stainless steel 304, high-grade steel 14301

Length mm	Part Number	Pack. unit (pieces)	Weight 1 pc. kg/oz
300	1SVR 450 056 R 0000	1	0.030/1.058
600	1SVR 450 056 R 0100	1	0.060/2.116
1000	1SVR 450 056 R 0200	1	0.100/3.527