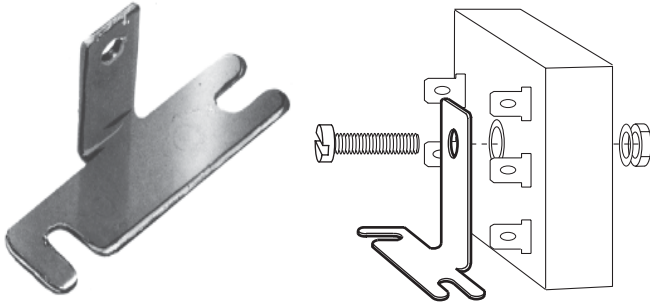


Accessories—Mounting Methods, Terminals and Varistors

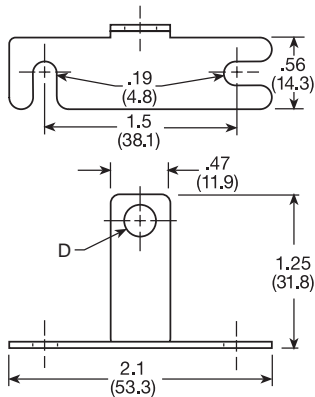
Mini-Mount/Standard Mount



Description

Provides a convenient method of mounting 2 x 2 x 1.21 in. (50.8 x 50.8 x 30.7 mm) or 2 x 3 x 1.5 in. (50.8 x 76.2 x 38.1 mm) modules. The 90° orientation of mounting slots makes installation/removal of modules quick and easy. The P1023-6 secures to module with a #8 (M4 x 0.7) screw. The P1023-7 secures to 2 x 2 x 1.21 in. (50.8 x 50.8 x 30.7 mm) module with Mini-Pot for local adjustment. Made from steel with a cadmium surface finish.

Mounting Method	Mounting Hole Size	P/N
#8 (M4 x 0.7) screw	0.19 in. (4.8 mm)	P1023-6
Mini-Pot	0.25 in. (6.35 mm)	P1023-7

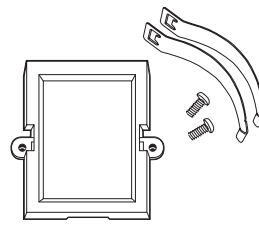


D = 0.25(6.35)
(P1023 7)

D = 0.19(4.8)
(P1023 6)

Inches (Millimeters)

Panel Mount Kit

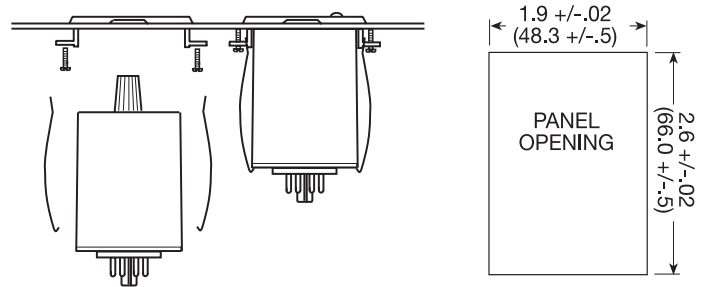


Description

Provides an easy method of through-panel mounting of 1.78 x 2.39 in. (60.7 x 45.2 mm) 8 or 11 pin plug-in timers, flashers, and other controls. May be mounted in panels up to 0.125 in. (3.2 mm) thick. Includes two clamps and two screws.

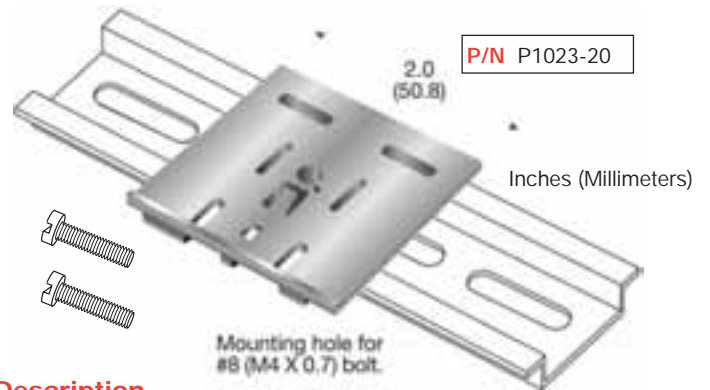
P/N BZ1

Inches (Millimeters)



Illustrates panel opening size required to mount BZ1.

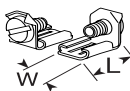
DIN Rail Mount



Description

Allows any 2 x 2 in. (50.8 x 50.8 mm) or 2 x 3 in. (50.8 x 76.2 mm) SSAC module to be mounted on a 35 mm DIN type rail. Comes complete with mounting hardware for 0.75 in. (19 mm) and 1 in. (25.4 mm) thick package.

Quick Connect Screw Adaptor



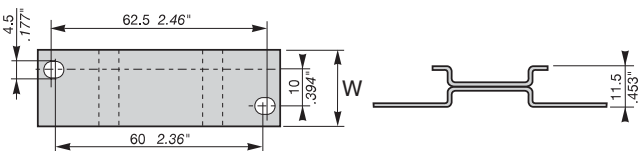
L = 0.55 (41.0)
 W = 0.32 (8.1)

P/N P1015-18

Description

Female screw adaptor terminal designed for use with all modules with 0.25 in. (6.35 mm) male quick connect terminals. Screw terminal accepts ring or spade terminals.

S, E, Series Adaptor for Screw Mounting



W 22.5 mm width P/N 1SVR 430 029 R 0100

Female Quick Connect Terminals



L = 0.83 (21.1)
 W = 0.3 (7.6)

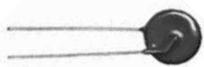
Inches (Millimeters)

Description

These 0.25 in. (6.35 mm) female terminals are constructed with an insulator barrel to provide strain relief.

P/N	Wire Size
P1015-13	AWG 10/12 (5.3/3.2 mm ²)
P1015-64	AWG 14/16 (2.5/1.3 mm ²)
P1015-14	AWG 18/22 (0.93/0.33 mm ²)

Metal Oxide Varistors



P/N	Max. Operating Voltage		Max. Impulse Current 80/20 us current wave (A)	Varistor Voltage at 1 mA DC Test Current		Peak Clamping Voltage with 80 us wave		Capacitance (pF)	Size (mm)
	DC (V)	AC (V)		Min. (V)	Max. (V)	Vc (V)	Ip (A)		
P1012-27	200	150	1200	212	268	395	10	150	7
P1012-25	200	150	4500	212	268	395	50	800	14
P1012-3	369	275	1200	389	515	775	10	85	7
P1012-6	369	275	4500	389	475	710	50	450	14